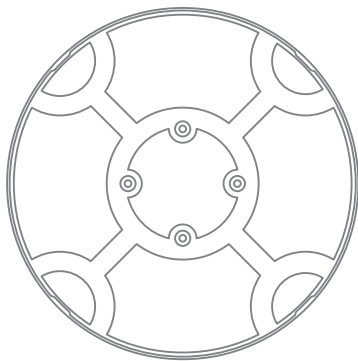


3D controller

b★b★CON

Instruction manual

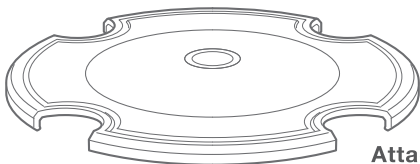


For safe use

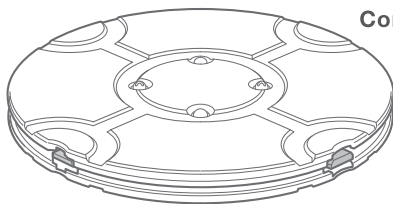
To use the product safely and correctly, be sure to read this instruction manual carefully before use. Perform maintenance and maintenance according to this instruction manual.

Keep this manual in a safe place so that you can refer to it at any time.

1.Contents



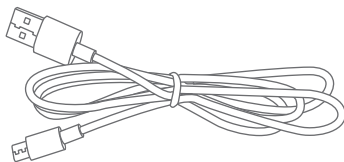
Attachment



Controller body



Instruction manual



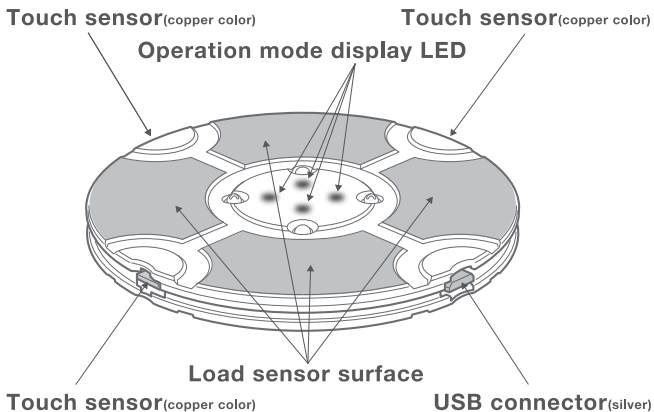
Micro USB cable for bb-con operation

2.Safety precautions

Failure to observe the following cautions may result in injury or accident.

- This unit is not waterproof. If water is spilled, wipe it off with a tissue immediately. Moisture may get into the unit and cause a malfunction.
- Do not apply too much load. It may cause a failure.
- Do not disassemble, repair, or modify this product by yourself.
- Do not leave this product in high temperature, cold temperature, high humidity, or direct sunlight. It may cause discoloration or failure.

3. Name of each part (body)



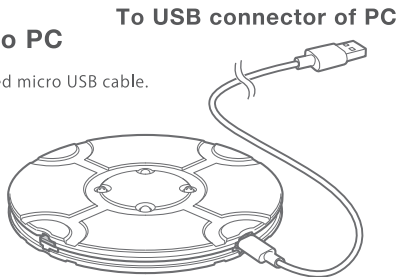
4.Setup

4-1.How to connect to PC

1. Connect to a PC with the included micro USB cable.

2. PC automatically recognizes.

The cursor is unstable immediately after connection, but will be stable after a while.



4-2.Change of operation mode

Touch the touch sensor (copper) on the side to turn on the mode LED.

Touching the touch sensor again while the mode display LED is on changes the operation mode.

(All three touch sensors perform the same operation.)

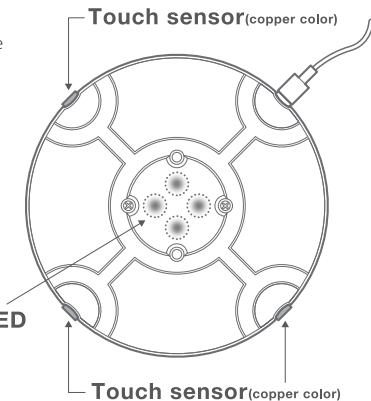
Refer to [4-3. Operation mode display] for the types of operation modes.

Operation mode display LED

The LED goes out after a while.

The LED goes out after a while.

Note) Touch the touch sensor gently and slowly instead of pressing it (the claws do not respond).



4-3.Operation mode display

【Front】

Execute [4-2. Change operation mode], and the side where 3 LEDs are lit is front. The three LEDs indicate the left, top, and right directions on the PC screen, respectively.

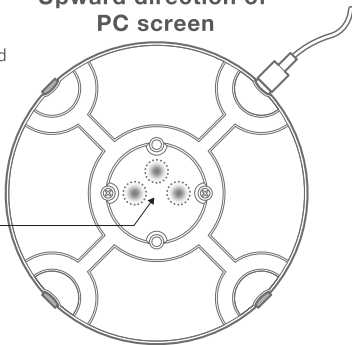
The colors of the three LEDs change depending on the operation mode.

Green : Mouse mode (with click)

Light blue : Mouse mode (no click)

Blue : Gamepad mode

↑
Upward direction of
PC screen

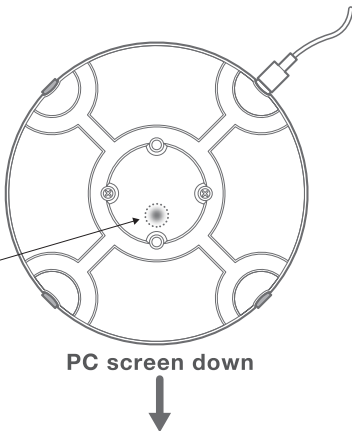


【Back】

After performing [4-2. Change operation mode], the surface where only one red LED is lit is the back. The LED indicates the “down” direction of the PC screen.

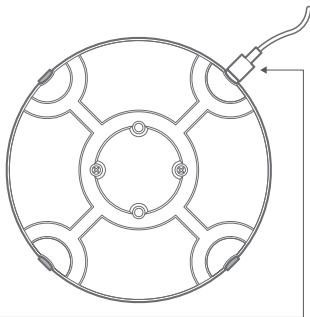
Only one red LED lights

↓
PC screen down



4-4. Setting the direction on the PC screen

When [4-2. Change operation mode] is executed, every time the touch sensor (copper) on the side is touched, the USB code is At the upper right position, the direction on the PC screen is set in the following order.



The USB code is at the upper right position

	オモテ	ウラ	
1st touch			● LED lighting part ○ LED off part
2nd touch			
3rd touch			
4th touch			

5.How to use

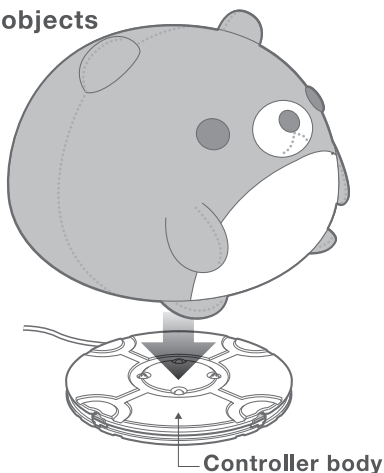
5-1.Place large and soft objects

When placing large and soft objects like stuffed animals,

Size : The size that applies load to all four load sensor surfaces.

Weight : about 2kg

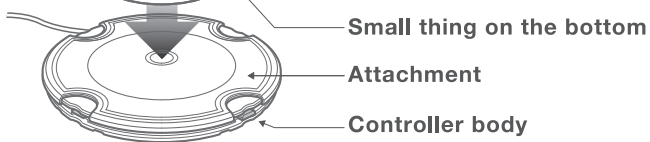
Arrange so that the load is applied to the touch sensor in a well-balanced manner.



5-2.Place a small object on the bottom

If you want to place a small object with a bottom that cannot reach the load sensor surface, such as a PET bottle, set the included attachment first.

Refer to [5-3. Setting attachment].

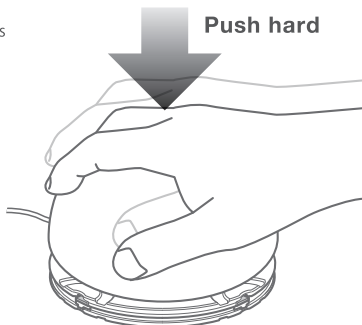
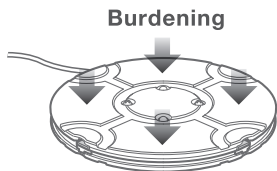


5-3.How to click ※Only valid in mouse mode (with click).

【Left click】

Push the loaded object firmly.

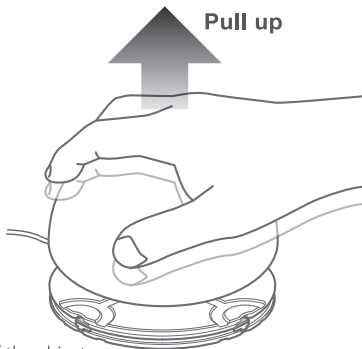
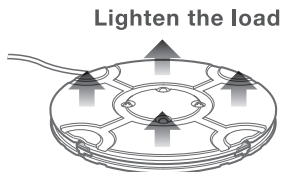
(Apply the load to the four load sensors at the same time.)



【Right click】

Please raise the loaded object.

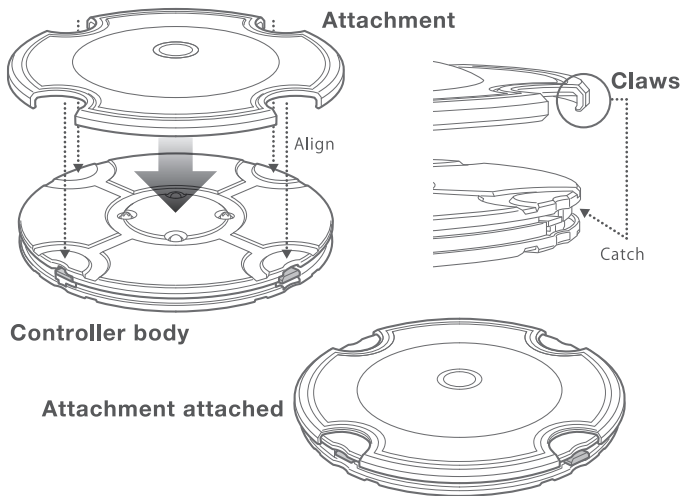
(Lighten the load on the four load sensors at the same time.)



Unintended movement may occur depending on the shape and weight of the object.

5-4.Setting the attachment

Align the four touch sensors and the USB connector and hook the side tabs to fix. You can remove it by removing the claws.



■ How to care

- Wipe off the main unit with a cloth containing water.
- Use the included charging cable for charging.

■ Specification

[Name] bb-con

[Distributor] DNA JAPAN

[Manufacturer] DNA JAPAN

[Body dimensions] W100×D100×H9mm

[Attachment dimensions] W104×D104×H8mm

[Body weight] 56g

[Attachment weight] 13g

[Power supply method] Micro USB cable

[Accessories] Micro USB cable for
bb-con operation, attachment,
instruction manual

■ About warranty and exchange

- Products that have been used once or three months after the date of purchase cannot be returned or exchanged unless otherwise specified. Be sure to check the operation before use.
- If there is any defect, please contact the store of purchase or our company.
At that time, a receipt or a delivery note stating the place of purchase and the date of purchase is required, so please keep it in a safe place.
- Please note that the following products will not be returned or exchanged.
 - Products that have been disassembled or repaired by the customer, or have evidence of it
 - Products with evidence that moisture has entered the machine
- If the arrival item sent from the customer is normal, we will contact you and return it by postage cash on delivery.
Please note that products sent without prior notice will not be supported.

